

POWER UNIT

HP 80 POWER UNIT

HP Power Units supply the energy to run the latest high performance static eliminators from Fraser. They offer many advantages for the international manufacturer.

The HP 80 produces high voltage, low current in a controlled and safe way to provide the power for Fraser AC High Performance static eliminators working on 8 kV.

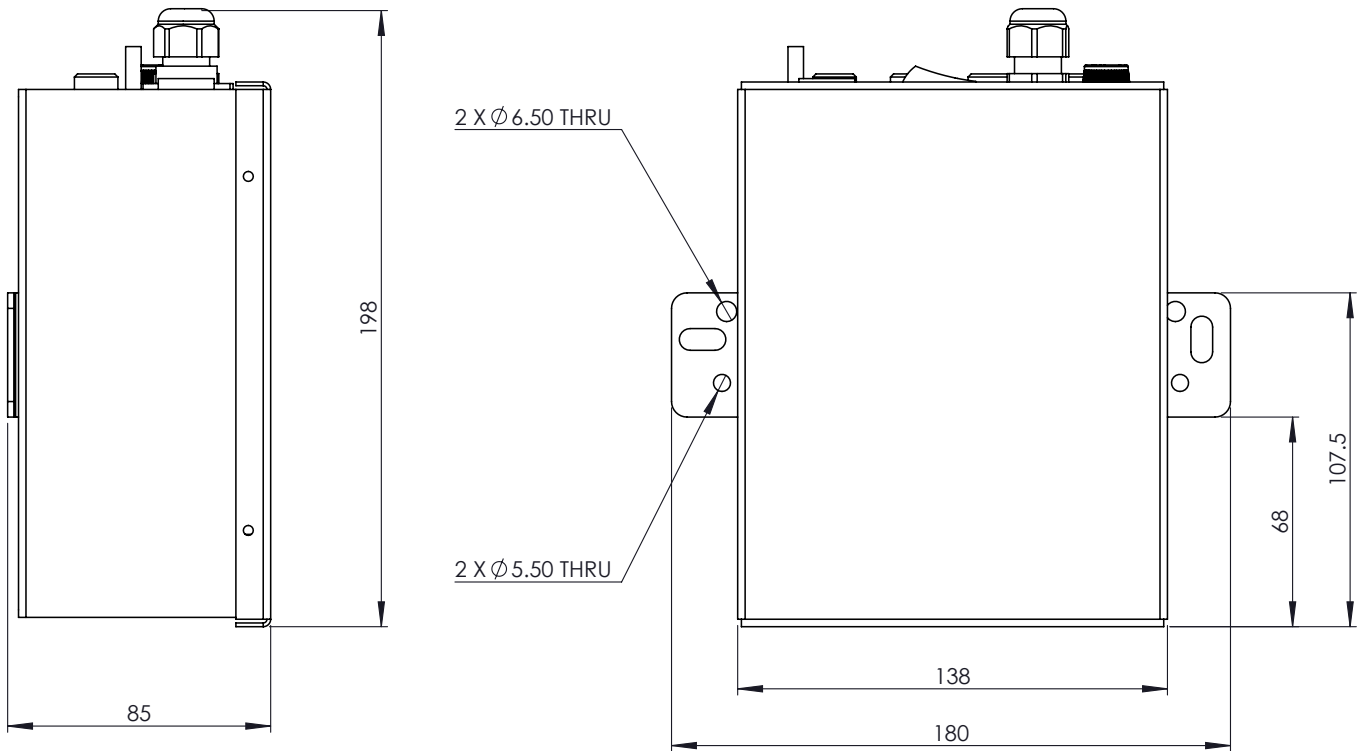
- > It has bayonet connectors for fast and easy connection of the static eliminators. The HP 80 can power up to four static eliminators.
- > Remote monitor options to link with customer's PLC, showing whether static eliminators are working.
- > Construction IP54 rated.



Specification

Construction:	Powder coated steel case. Transformer with fully encapsulated windings.
Input :	115 V or 230 V, 50/60 Hz, please specify input voltage.
Output:	7-8 kV. Secondary current limited to 5 mA.
Maximum Load:	10 m of combined Bar and HT cable.
Environment:	50° maximum temperature. 70% rH non-condensing max. Location should be dry and oil free.
Safety:	The design is current limited to 5 mA. If more than 5 mA current is drawn the transformer is designed to shut down. Power will restart when the excessive load or fault is removed.
Options:	Remote monitoring to show status of high voltage and Bars/Electrodes.

Dimensions



HP80_DS_Iss3