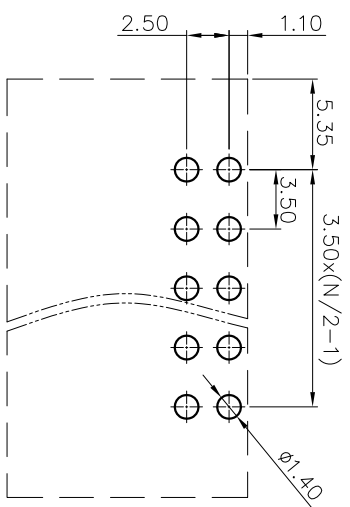
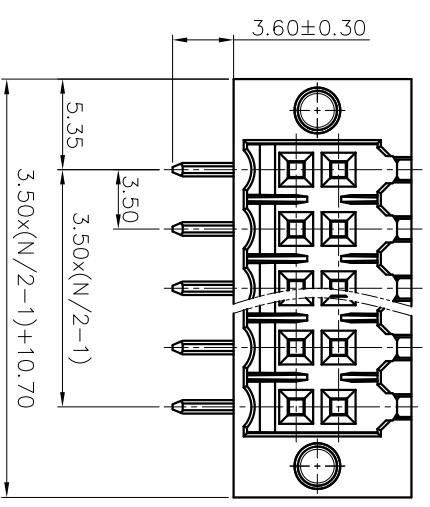
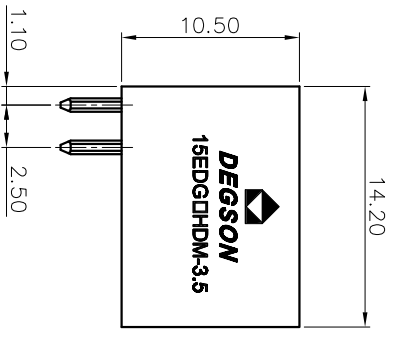
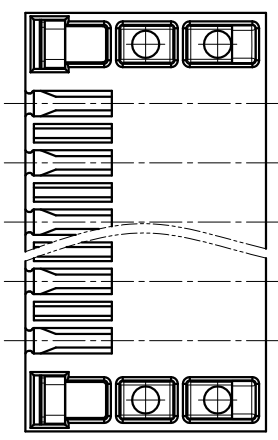
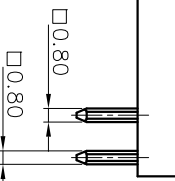
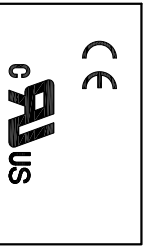


REVISION RECORD			
REV	ECN	DESCRIPTION	DRFT DATE



- NOTES1:
- 1. UL Standard
 - 2. Rated voltage/current : 150V / 10A
 - 3. Withstanding voltage : AC1500V/1Min.
- IEC Standard

Pollution degree	2	2	3
Overvoltage category	II	III	III
Rate impulse voltage(kV)	2.5kV	2.5kV	2.5kV
Rate voltage(V)	250V	125V	80V
Rate current(A)	10A		



Pitch range in mm	Over	Over	Nominal dimension range in mm	Over	Over	Over	Over	Over	Over
TO	6	10	TO	30	60	100	150	150	0.1/10
TO	10	10	TO	30	60	100	150	150	∠
TO	10	24	TO	30	60	100	150	150	±2°
TO	6	10	TO	30	60	100	150	150	±2°

15EDGRHDM - 3.5 - XXP - 1Y - 00A (H)

(Series No.) (Pitch) (Poles) (Single Pitch) (Color) : 1. (Grey)
 2. (Blue)
 3. (Black)
 4. (Green)
 5. (Orange)
 6. (Red)
 7. (Transparent)
 8. (Yellow)
 9. (White)

NOTES2:

- 1. Dimension shall be interpreted per ASME Y14.5-2009
- 2. Pitch : 3.50mm, Poles : N=04~48P
- 3. Operating temperature: -40°C~+105°C
- 4. Undimensioned tolerances:

DETACHED LISTS			
PART NO.:	/	NAME:	15EDGRHDM-3.5-XXP-1Y-00A(H)
APPD:	/	DRFT:	/
CHKD:	/	TITLE:	CUSTOMER DRAWING
THIRD ANGLE PROJECTION		DRAWING NO.:	/
		DO NOT SCALE DRAWING	SCALE
			1:1

NINGBO DEGSON ELECTRICAL CO., LTD
 宁波高松电子有限公司